

# MUNDIAL

## INDUSTRIAL PLUGS AND SOCKETS

Description: IP67 WALL INTERLOCKING SOCKET 3P+E 380V 16A 6H

Reference:

**03832**

### Characteristics:

<b>Product type:</b>	Low voltage wall interlocking socket
<b>Current:</b>	16A
<b>Poles:</b>	3P+E
<b>Voltage:</b>	380/415 V
<b>Frecuency(Hz):</b>	-
<b>Time code:</b>	6
<b>Colour:</b>	Red
<b>Weight (kg):</b>	0,72
<b>Dimensions:</b>	
<b>Materials:</b>	Halogen-free plastic materials. Plastic parts: polyamide 6. Contacts: copper-zinc alloy
<b>Packaging units:</b>	1

### Technical data:

<b>Degree of protection:</b>	IP67
<b>Degree of protection remarks:</b>	
<b>Resistance to impact:</b>	IK08
<b>Glow wire resistance:</b>	960 °C
<b>Ball pressure test:</b>	125 °C
<b>Ambient temperature range:</b>	-25 °C / +40 °C

### Certifications and norms:

<b>Directive:</b>	2014/35/EU
<b>Standards:</b>	IEC 60309-1-2
<b>Certificates:</b>	



### Codes:

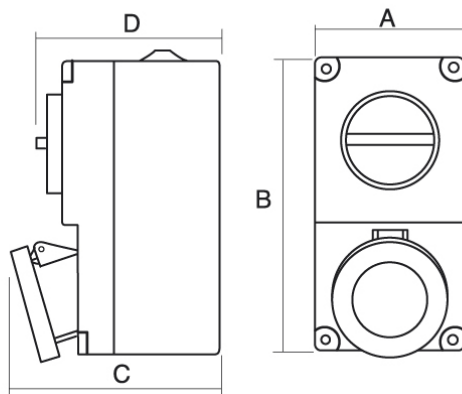
<b>EAN:</b>	8431044038322
<b>Customs tariff number:</b>	85.36.69.90
<b>ETIM 8.0:</b>	EC001324

# MUNDIAL

## INDUSTRIAL PLUGS AND SOCKETS

Description: IP67 WALL INTERLOCKING SOCKET 3P+E 380V 16A 6H

Reference: 03832



### Dimensions:

I	Poles	Dimensions			
		A	B	C	D
16 A	2P+E	90	180	115	105
	3P+E	90	180	116	105
	3P+N+E	90	180	117	105
32A	2P+E	90	180	123	105
	3P+E	90	180	123	105
	3P+N+E	90	180	124	105

### Sustainability:

RoHS - REACH

### Product end of life stage:

Product concerned in the WEEE regulations.

### Supply:

Supplied in a single box per packaging multiple